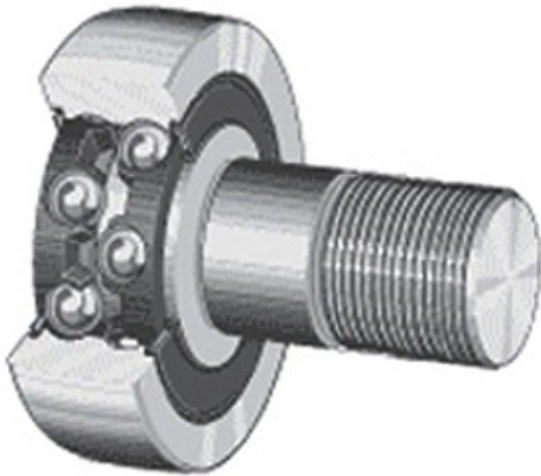




# CARTER BEARING MFG LTD

## OSBORN LOAD RUNNERS PLR-1-1/8 Cam Follower and Track Roller - Stud Type



PLR-1-1/8 Bearing 2D drawings and 3D CAD models

Bearing No. PLR-1-1/8

|                        |                                                                                                                                                                                           |
|------------------------|-------------------------------------------------------------------------------------------------------------------------------------------------------------------------------------------|
| Category               | Cam Follower and Track Roller - Stud Type                                                                                                                                                 |
| Inventory              | 0.0                                                                                                                                                                                       |
| Manufacturer Name      | OSBORN                                                                                                                                                                                    |
| Minimum Buy Quantity   | N/A                                                                                                                                                                                       |
| Weight                 | 0.136                                                                                                                                                                                     |
| Product Group          | B04120                                                                                                                                                                                    |
| Roller Surface Profile | Flat                                                                                                                                                                                      |
| Profile                | Stud Type                                                                                                                                                                                 |
| Thread Size            | 7/16-20                                                                                                                                                                                   |
| Stud Profile           | Standard Stud                                                                                                                                                                             |
| Enclosure              | Sealed                                                                                                                                                                                    |
| Rolling Element        | Ball Bearing - Double Row                                                                                                                                                                 |
| Relubricatable         | No                                                                                                                                                                                        |
| Hex Socket             | Yes                                                                                                                                                                                       |
| Inch - Metric          | Inch                                                                                                                                                                                      |
| Other Features         | High Alloy Steel Tread                                                                                                                                                                    |
| Long Description       | 1-1/8" Roller Diameter; 25/32" Roller Width; Flat Roller Surface; Stud Type; 7/16" Stud Diameter; 7/16-20 Thread; Standard Stud; Sealed; Ball Bearing - Double Row; Not Relubricatable; H |
| Category               | Cam Followers Stud Type                                                                                                                                                                   |
| UNSPSC                 | 31171530                                                                                                                                                                                  |
| Harmonized Tariff Code | 8482.10.50.68                                                                                                                                                                             |



## CARTER BEARING MFG LTD

| Noun                         | Bearing                                                   |
|------------------------------|-----------------------------------------------------------|
| Keyword String               | Cam Follower                                              |
| Manufacturer URL             | <a href="http://www.osborn.com">http://www.osborn.com</a> |
| Manufacturer Item Number     | PLR-1 1/8                                                 |
| Manufacturer Internal Number | 97319                                                     |
| Weight / LBS                 | 0.3                                                       |
| Stud Diameter                | 0.438 Inch   11.125<br>Millimeter                         |
| Roller Width                 | 0.781 Inch   19.837<br>Millimeter                         |
| Roller Diameter              | 1.125 Inch   28.575<br>Millimeter                         |